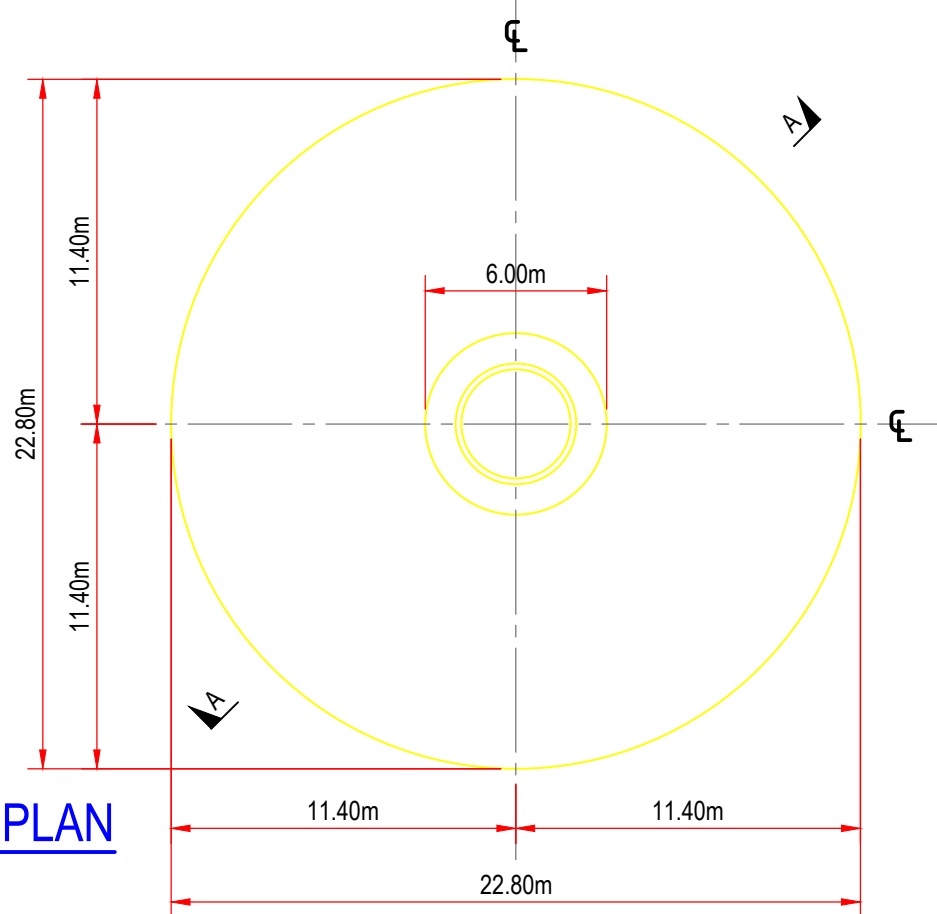


SECTION 'A-A'

SCALE 1:100

GENERAL PLAN

SCALE 1:100



Rev	Description	Drawn	Chk'd	App'd.	Date
0B	LOGO UPDATED	RGG	RGG	GE	20/03/23
0A	FOR INFORMATION	MW	RGG	AMc	22/11/22

Originated By	MW	Date	18/11/22
Drawn By	MW	Date	18/11/22
Checked By	RGG	Date	18/11/22
Approved By	AMc	Date	18/11/22

Renantis Formerly Falck Renewables

RENANTIS UK LIMITED
 Beauty House
 Dochfour Business Centre
 Dochgarroch
 Inverness
 United Kingdom
 IV3 8GY



Project Title	The Repowered and Extended Ben Aketil Wind Farm
Drawing Title	Indicative Wind Turbine Foundations

Status	Planning
Scale	1:1000
Drawing No.	Figure 2.5